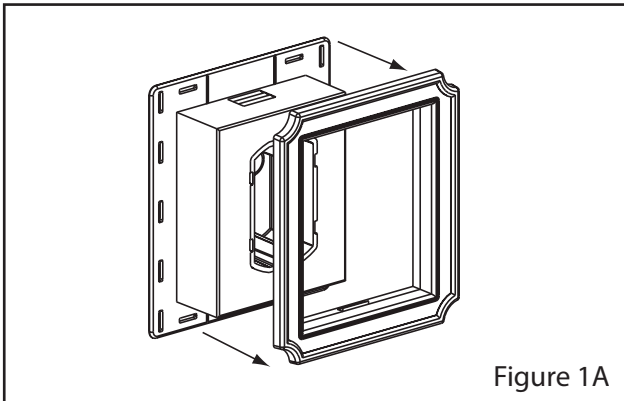


Installation Instructions – Mount Master Utility Block (U.L. Listed)

Required for Installation: To be installed prior to siding. Maximum 10lb (4.5kg) light fixture.

Step 1

Remove the trim ring from the Block Assembly. See Figure 1A



Step 2

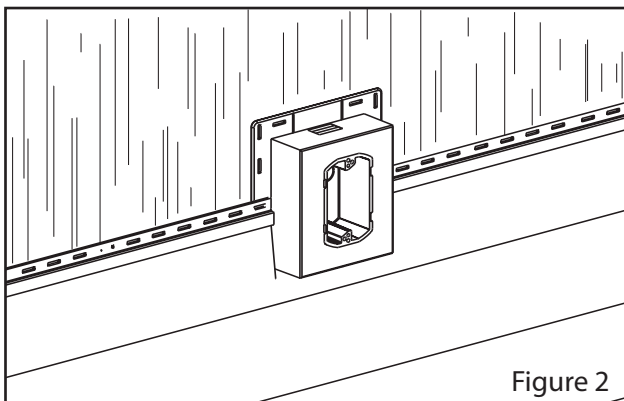
Determine where wires will come through wall and remove the corresponding knockout in the black electrical box. Align the hole with the wires.

Step 3

Place the Block over the desired application. Be sure to place tape or sealant between the Block and the house. Attach the Block using an 8d (64mm) nail or equivalent with a minimum of four attachments.

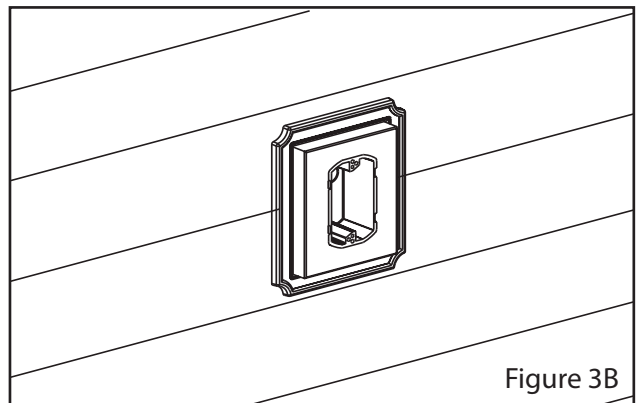
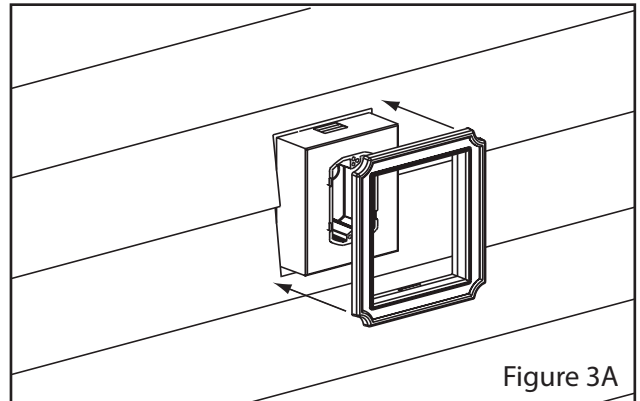
Step 4

Cut the siding around the Block. Install the siding according to the manufacturer's installation instructions. See Figure 2 below.



Step 5

Install the trim ring by locking it into place. See Figures 3A and 3B.



Step 6

Mount the fixture to the Mount Master Utility Block. Be sure that all electrical product gaskets have the proper sealant.