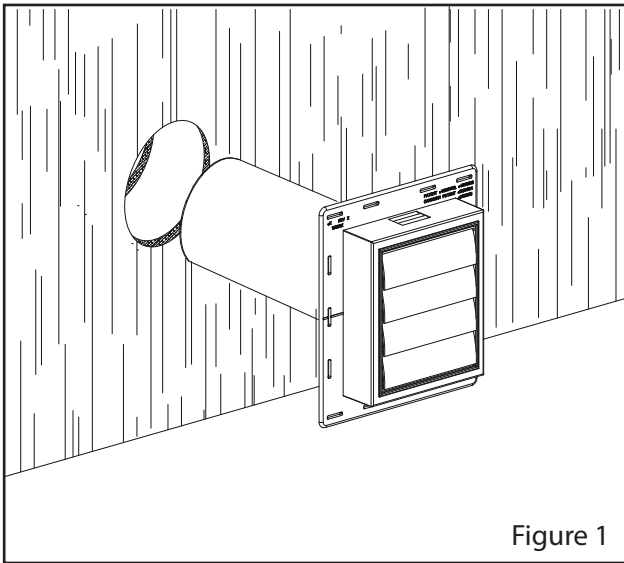


Installation Instructions – Exhaust Vent

Required for Installation: To be installed prior to siding.

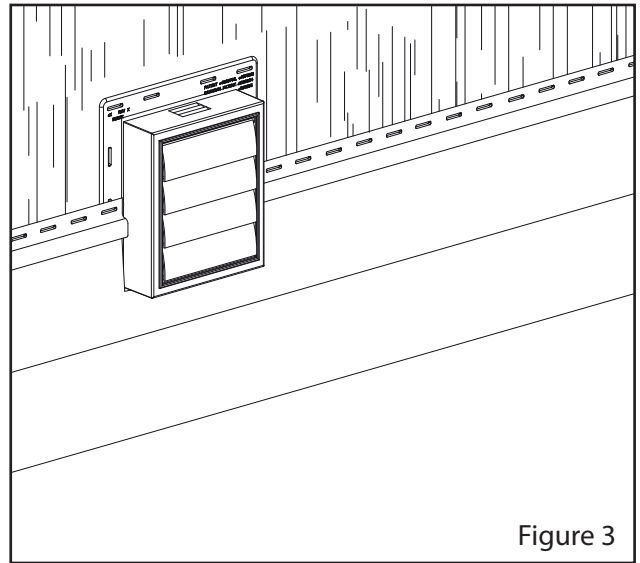
Step 1

Remove the trim ring and collar from the vent assembly. Place tape or sealant between the Exhaust Vent and house. Align the tube with the available opening. (Suggested hole size: 4 1/8" (105mm) diameter.) See Figure 1.



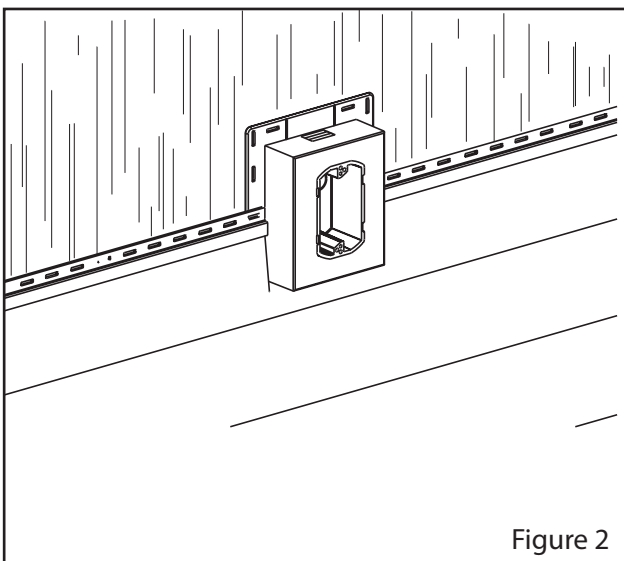
Step 3

Once the Exhaust Vent has been securely fastened, cut the siding around the vent. Install the siding according to the manufacturer's installation instructions. See Figure 3.



Step 2

Attach the Exhaust Vent using an 8d (64mm) nail or equivalent with a minimum of four attachments. See Figure 2.



Step 4

Lock on the Trim Ring. See Figure 4.

