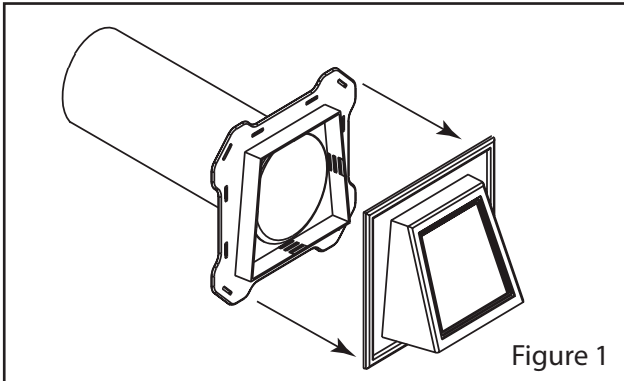


## Installation Instructions – Hooded Exterior Dryer Vent

**Required for Installation:** To be installed prior to siding.

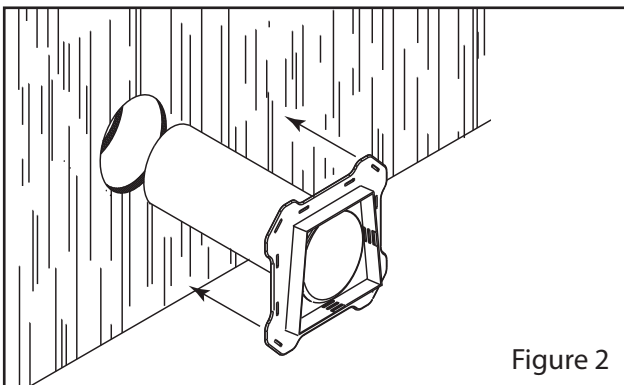
### Step 1

Remove the trim ring from the Hooded Dryer Vent assembly. See Figure 1 below.



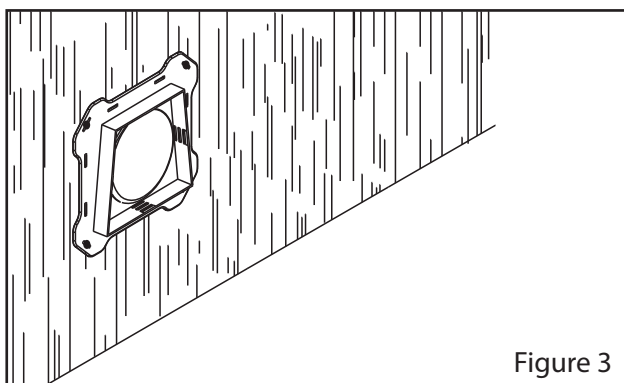
### Step 2

Place tape or sealant between the Hooded Dryer Vent and house. Align the Hooded Dryer Tube with the available opening (suggested hole size: 4-1/8" (105mm) diameter). See Figure 2 below.



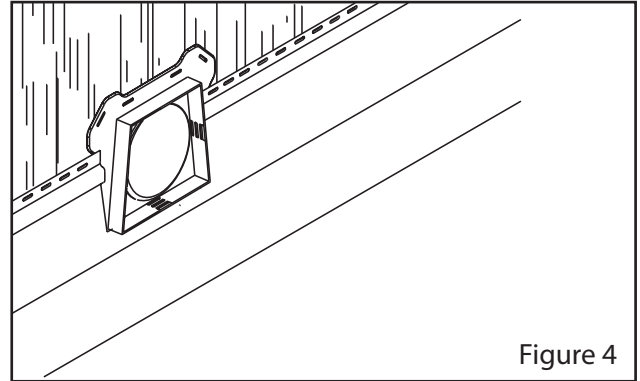
### Step 3

Attach the Hooded Dryer Vent using an 8d (64mm) nail or equivalent (to include a #8 x 1" (25mm) long or #8 x 1-1/2" (38mm) long Zinc Coated Screw) with a minimum of four attachments. See Figure 3 below.



### Step 4

Install the siding as per the manufacturer's installation instructions. See Figure 4 below.



### Step 5

Lock the finishing trim ring. See Figures 5A and 5B below.

