

## Installation Instructions – Recess Mini Mount

**Required for Installation:** To be installed prior to siding.

### Step 1

Remove the Trim Ring from the Recess Mini Mount and fasten the mount in the desired location. See Figure 1 at right.

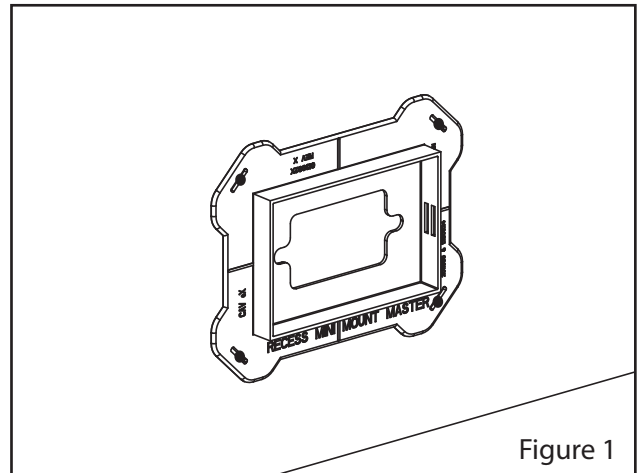


Figure 1

### Step 2

Cut the siding around the Recess Mini Mount. Install the siding according to the manufacturer's installation instructions. See Figure 2 at right.

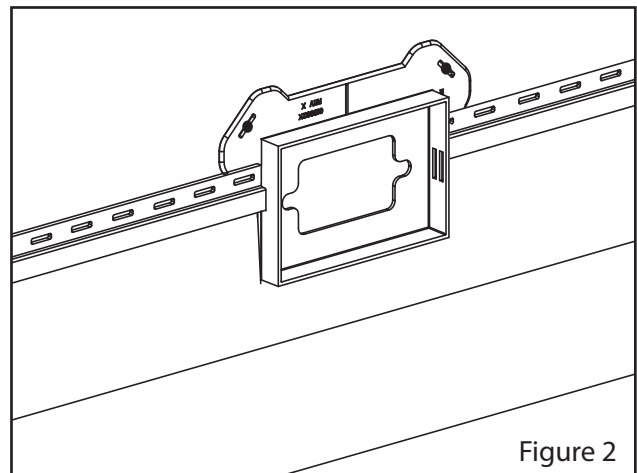


Figure 2

### Step 3

Install the Trim Ring by locking it into place. See Figure 3 at right.

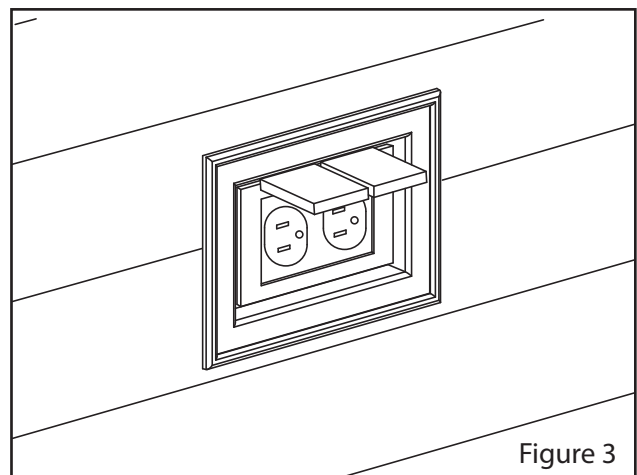


Figure 3

Note: Common sense, caution and care are factors which cannot be built into any product. These conditions must be supplied by the person(s) installing the fixture.